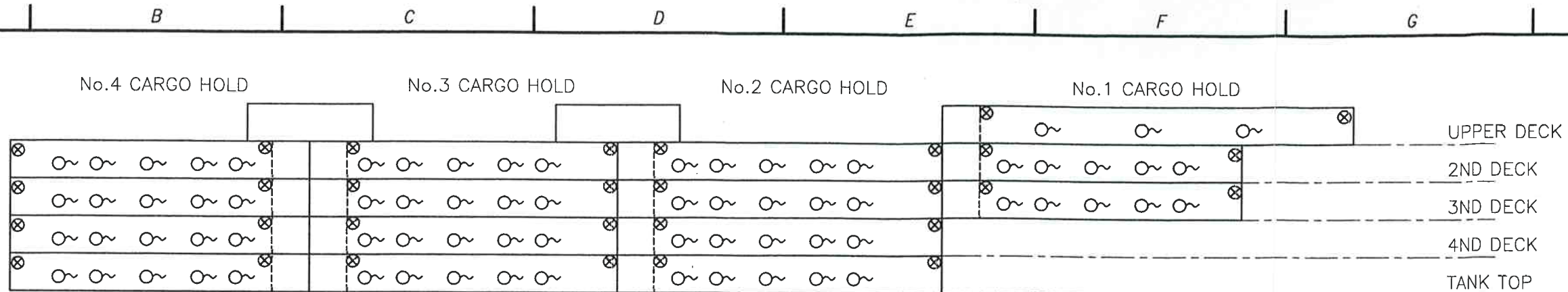


Star Standard  
IMO# 9438509

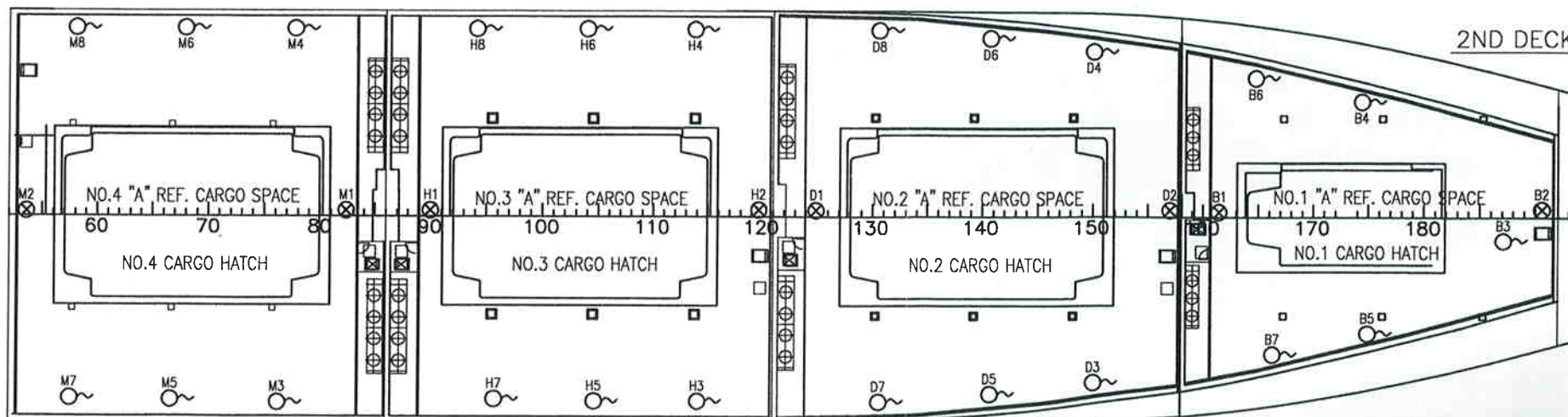
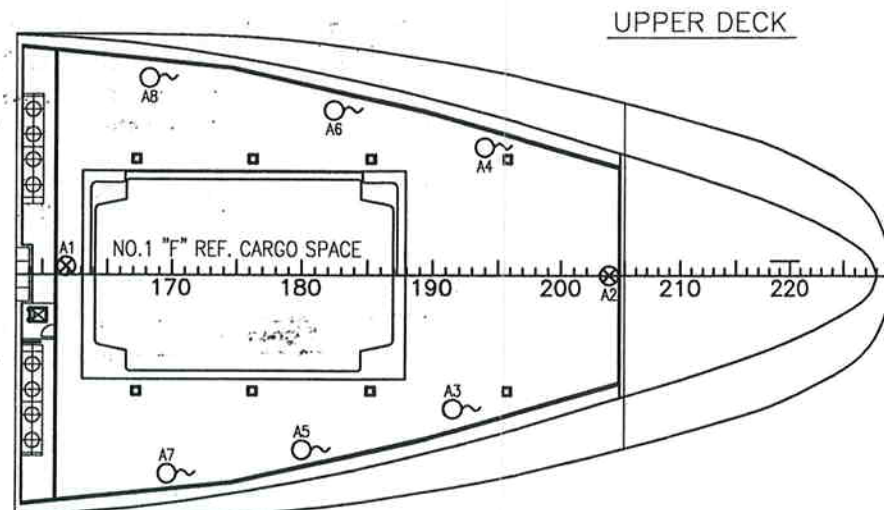


UNITED STATES DEPARTMENT OF AGRICULTURE  
Animal and Plant Health Inspection Service  
Plant Protection and Quarantine Programs

**APPROVED**

*Megan Remmen*  
Signature

11-25-2008  
Date



⊗ FIXED SENSOR WITH LEAD CABLE OF 5 METERS  
○ NON-FIXED SENSOR WITH LEAD CABLE OF 15 METERS

管理 No. X40300

Rev No.	Description	Date	By	Appr.
△				
△				
△				
△				

Messrs. SHIP No.1042

Title DATA LOGGER PANEL

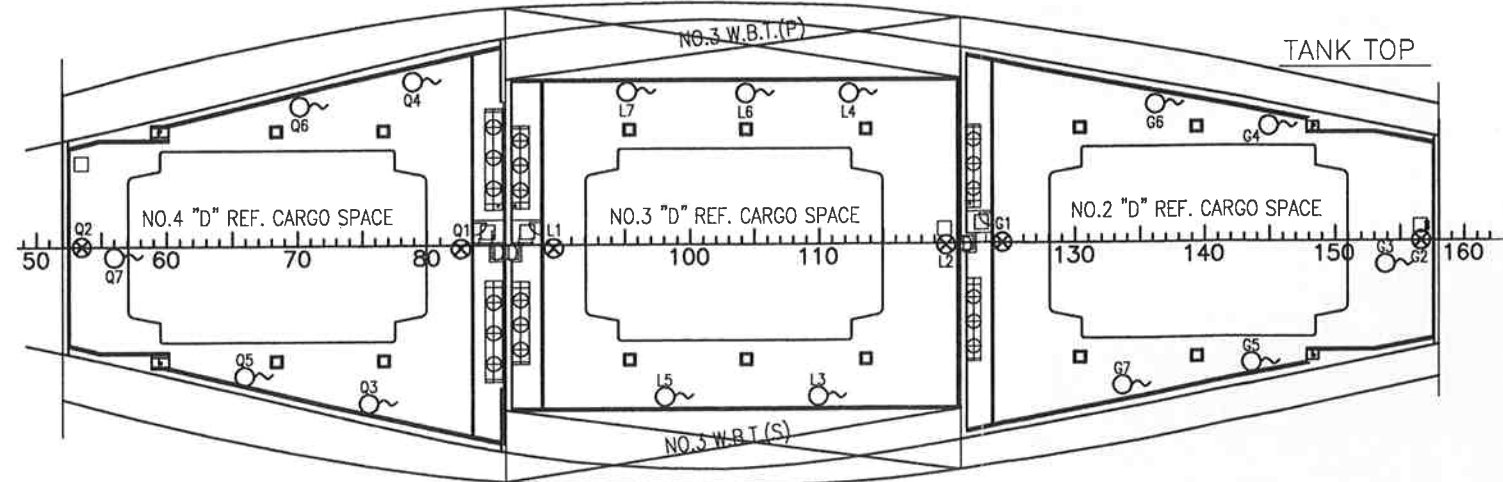
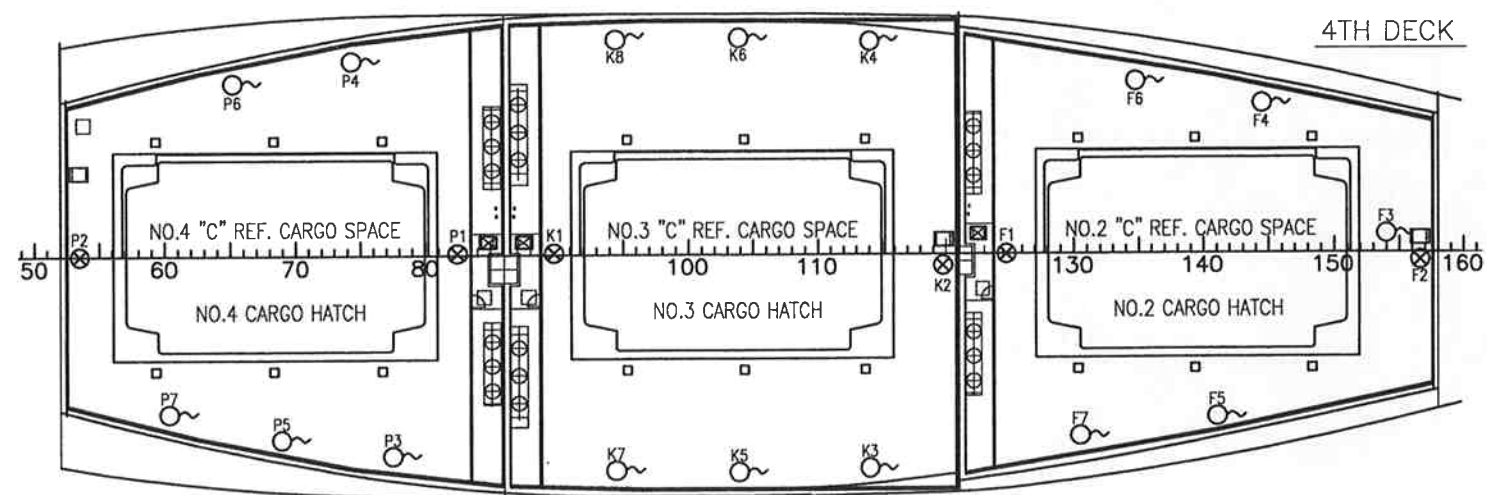
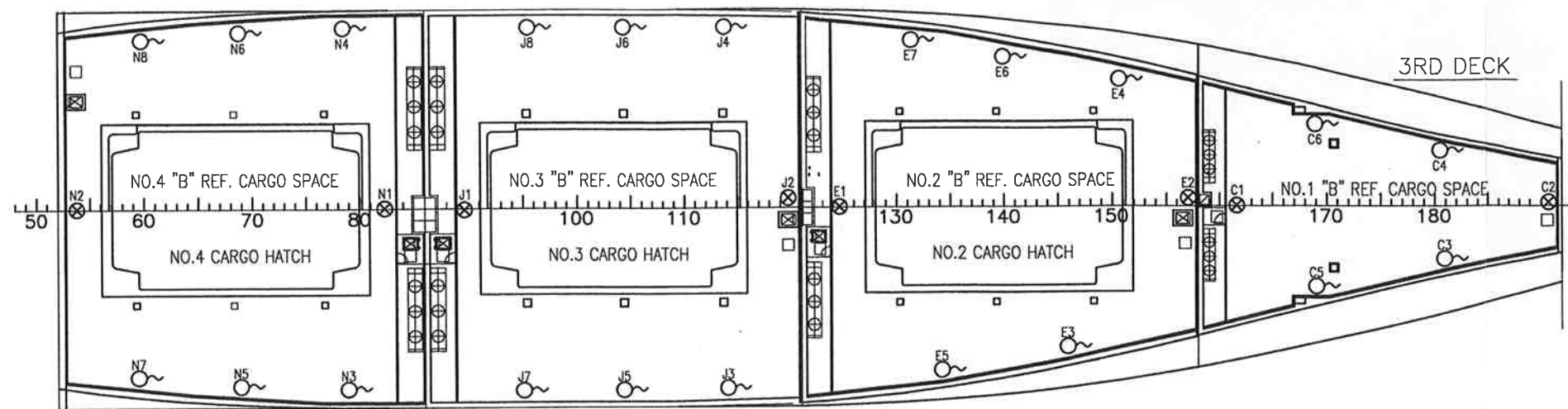
**MYCOM** 株式会社 前川製作所

For SENSOR ARRANGEMENT FOR USDA REPORT (1)

Q'ty \_\_\_\_\_ Scale 1/400 Dwg No. 0538 05-W0200

Designed By	Drawn By	Checked By	Appr. By
Name WATANABE KATAHIRA	KIMOTO UMAMICHI		
Date 24-Jan-2008	25-Jan-2008	25-Jan-2008	25-Jan-2008

A B C D E F G H



⊗ FIXED SENSOR WITH LEAD CABLE OF 5 METERS  
○ NON-FIXED SENSOR WITH LEAD CABLE OF 15 METERS

管理 No. X40300

△ △ △ △ Rev No.	Description	Date	By	Appr.	Messrs.	SHIP No.1042		For SENSOR ARRANGEMENT FOR USDA REPORT (2)						
					Title	DATA LOGGER PANEL		Q'ty	Scale	1 / 400		Dwg No. 0538 05-W0300		
					<b>MYCOM</b> 株式会社 前川製作所		Designed By	WATANABE	Drawn By	KATAHIRA	Checked By	KIMOTO	Appr. By	UMAMICHI
							Name	WATANABE	KATAHIRA	KIMOTO	UMAMICHI	Date	24-Jan.-2008	25-Jan.-2008