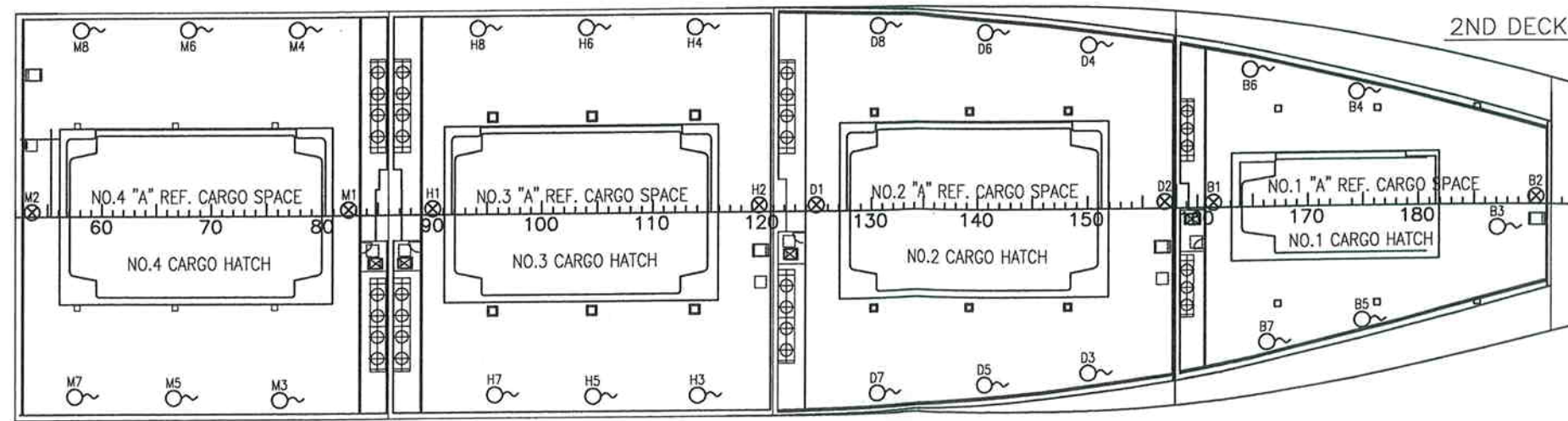
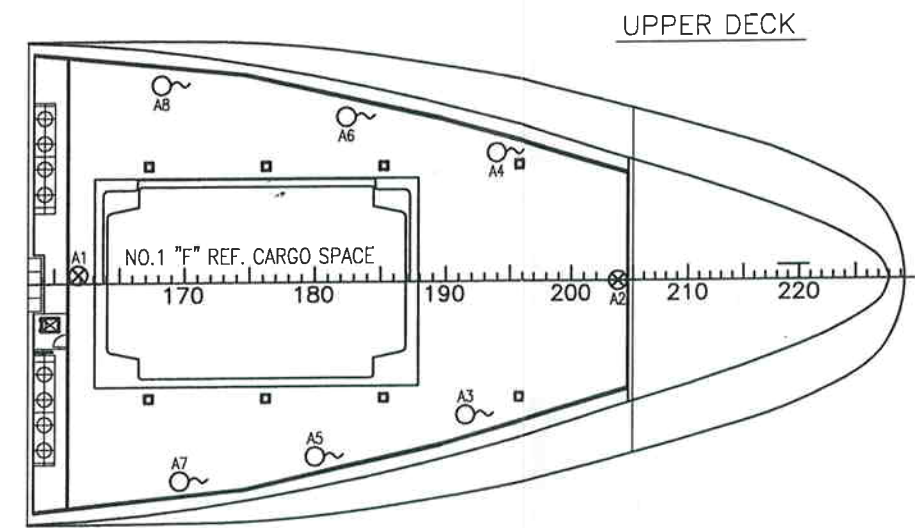


UNITED STATES DEPARTMENT OF AGRICULTURE
Animal and Plant Health Inspection Service
Plant Protection and Quarantine Programs

APPROVED

Ken Kamm 10-7-09

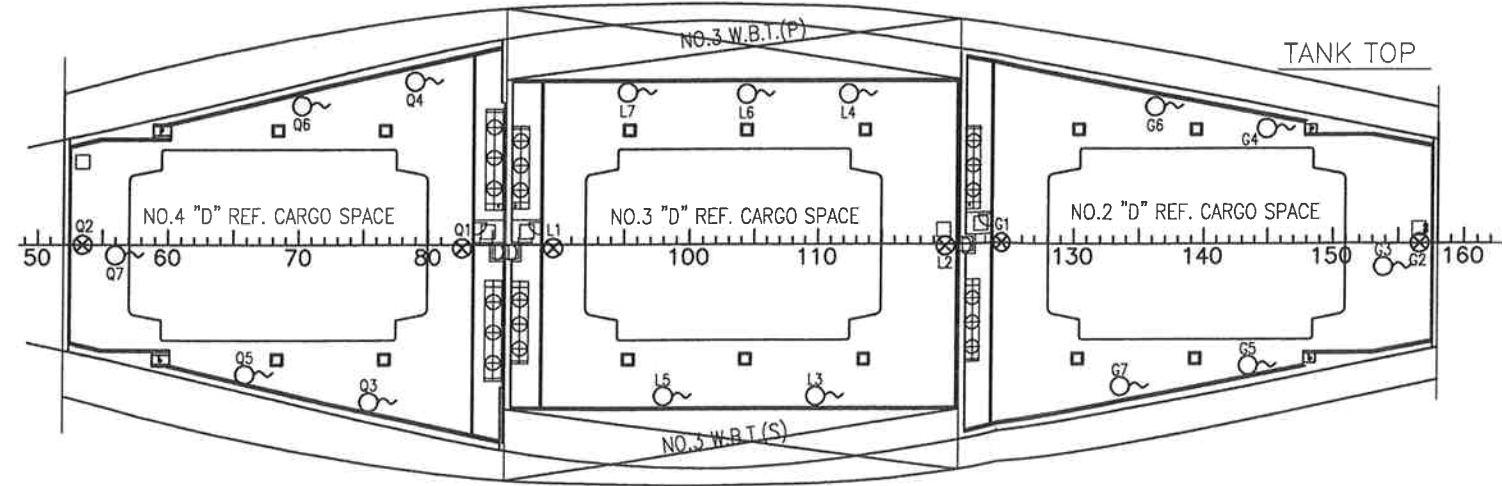
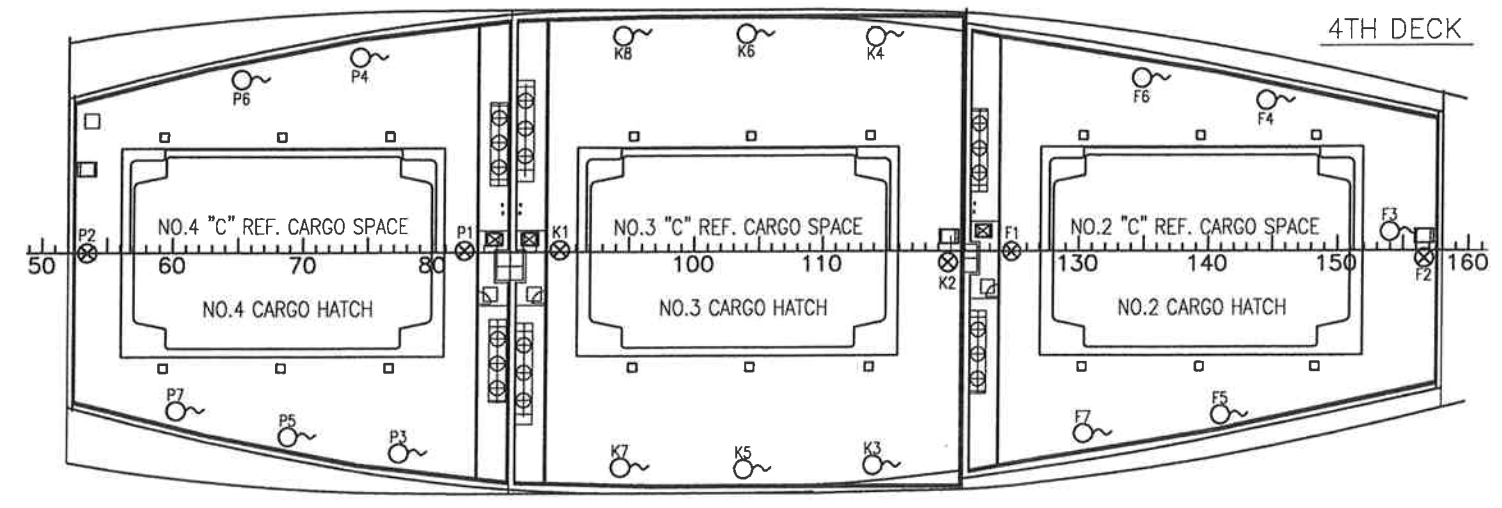
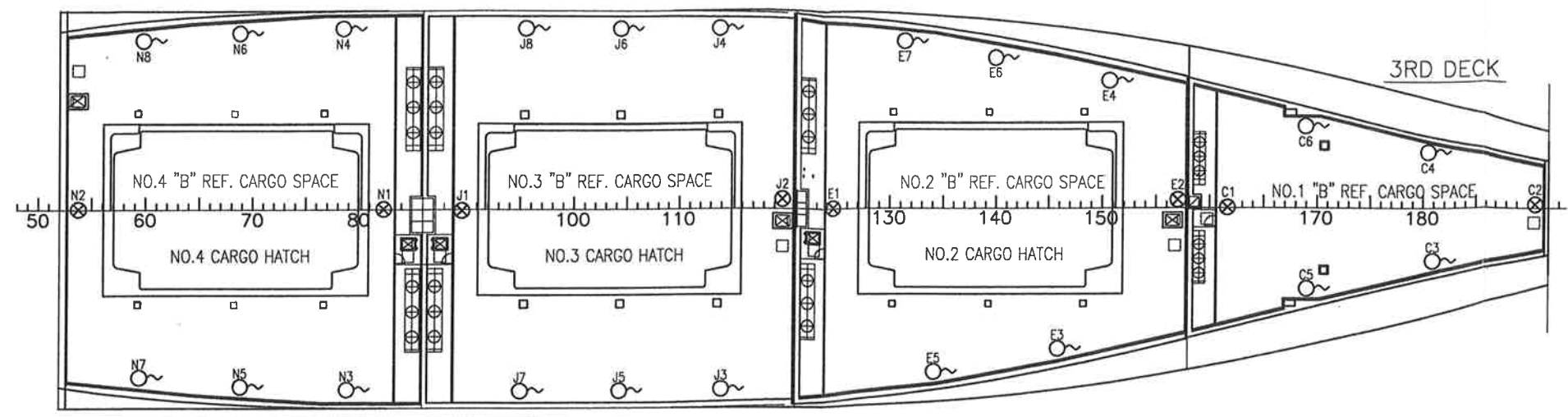
Signature Date



⊗ FIXED SENSOR WITH LEAD CABLE OF 5 METERS
○ NON-FIXED SENSOR WITH LEAD CABLE OF 15 METERS

Messrs.	SHIP No.1050/1051/1052/1053	For	SENSOR ARRANGEMENT FOR USDA REPORT (1)		
Title	DATA LOGGER PANEL	Q'ty	Scale	1/400	Dwg No. 0845 05-W0200
		Designed By	Drawn By	Checked By	Appr. By
		WATANABE	KATAHIRA	KIMOTO	YIMAMICHI

A | B | C | D | E | F | G | H | J | K



⊗ FIXED SENSOR WITH LEAD CABLE OF 5 METERS
○ NON-FIXED SENSOR WITH LEAD CABLE OF 15 METERS

△				
△				
△				
△				
Rev No.	Description	Date	By	Appr.

Messrs. SHIP No.1050/1051/1052/1053

Title DATA LOGGER PANEL

MAYEKAWA 株式会社 前川製作所

For SENSOR ARRANGEMENT FOR USDA REPORT (2)

Q'ty _____ Scale 1/400 Dwg No. 0845 05-W0300

Name	WATANABE	KATAHIRA	KIMOTO	UMAMICHI
Date	24-Feb-2009	25-Feb-2009	25-Feb-2009	25-Feb-2009