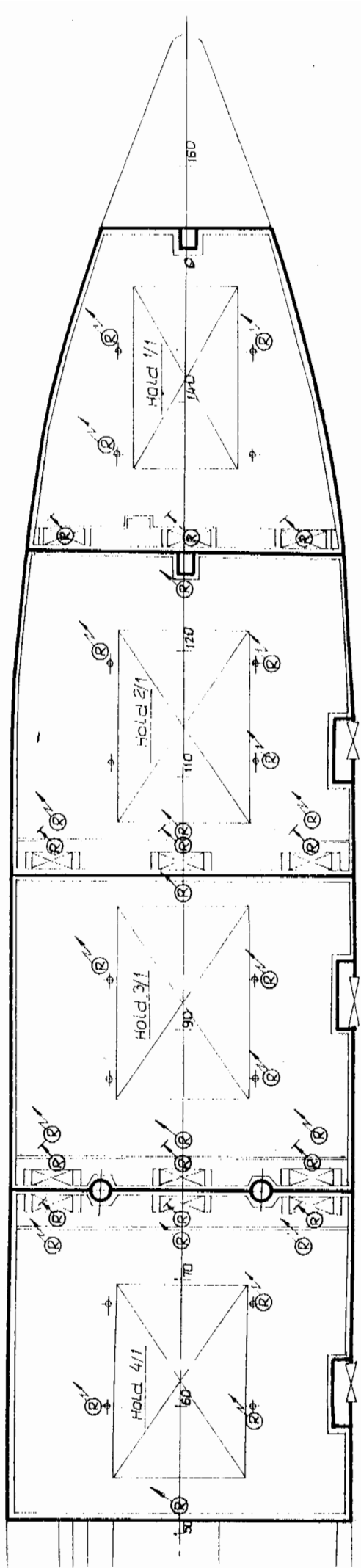
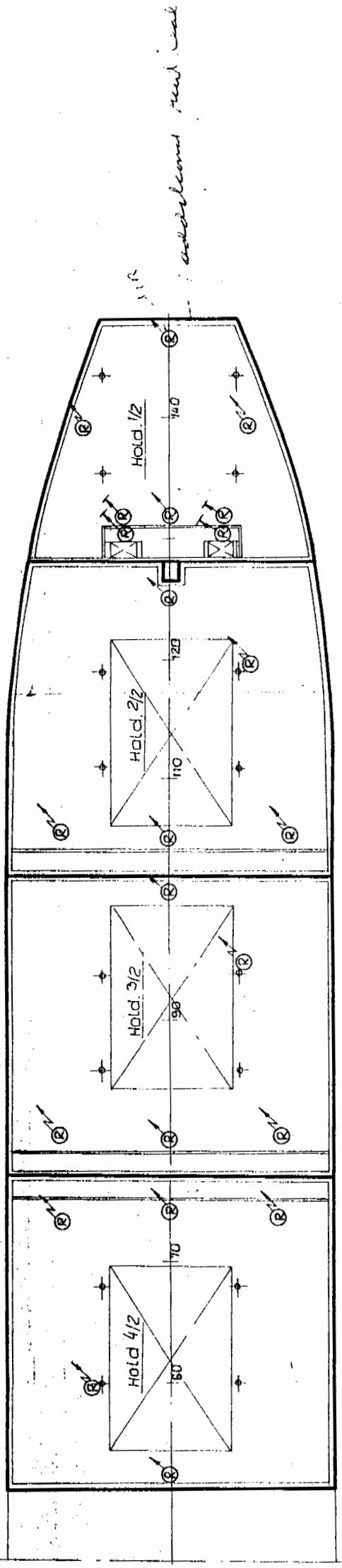


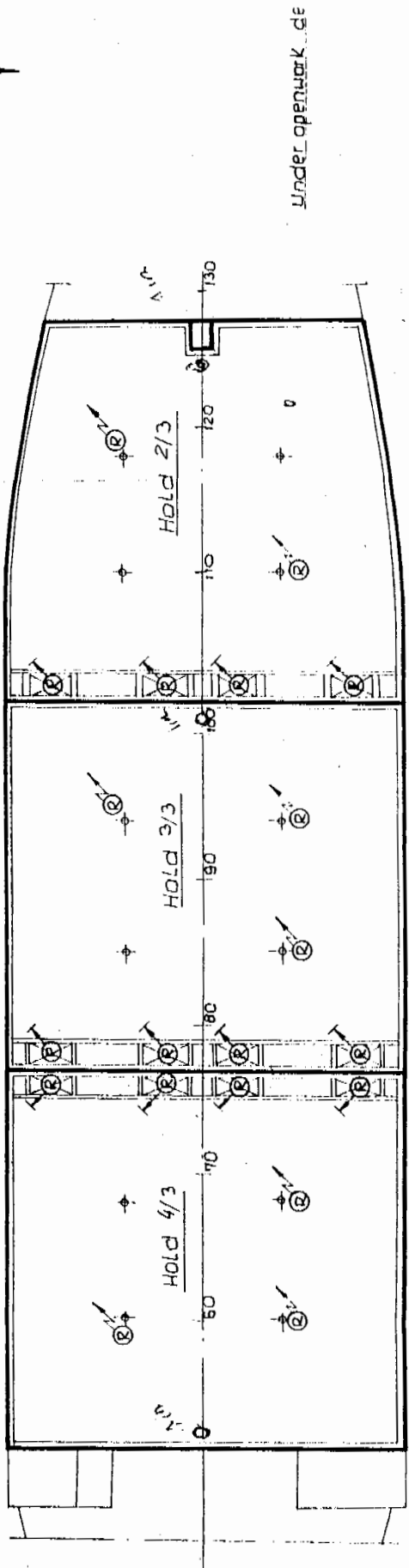
VIEW WITH UPPER DECK REMOVED



VIEW WITH A DECK REMOVED

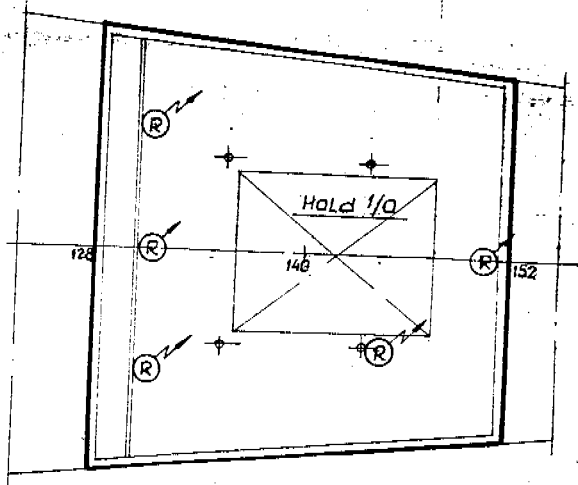


VIEW WITH B DECK REMOVED



Under openwork deck

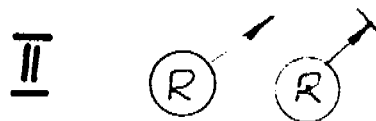
VIEW WITH FORECASTLE DECK REMOVED



Roztoczek (PO N/V)
Dockyard & Hull No. Stocznia Gdanska
B-364-11-6

Temperature recording sensors
specification

Hold No	Hold capacity netto m ³	acc. to USDA		Additional sensors as per owner's request
		Fixed sensor (R)	Portable sensor (R)	Fixed sensor (R)
		pcs	pcs	pcs
1/0 1/1	1255 8	2	3 3	0 5
1/2	336 5	2	2 3	4
2/1	760 7	2	5	5
2/2 2/3	1367 9	2	3 2	0 8
3/1	750 7	2	5	5
3/2 3/3	1426 9	2	3 3	0 8
4/1	800 7	2	5	5
4/2 4/3	1500 9	2	3 3	0 8
TOTAL	8194	16	40	48



Mounting in ship's centre Line on partition and
opposite bulkhead 460mm from the
ceilings insulation