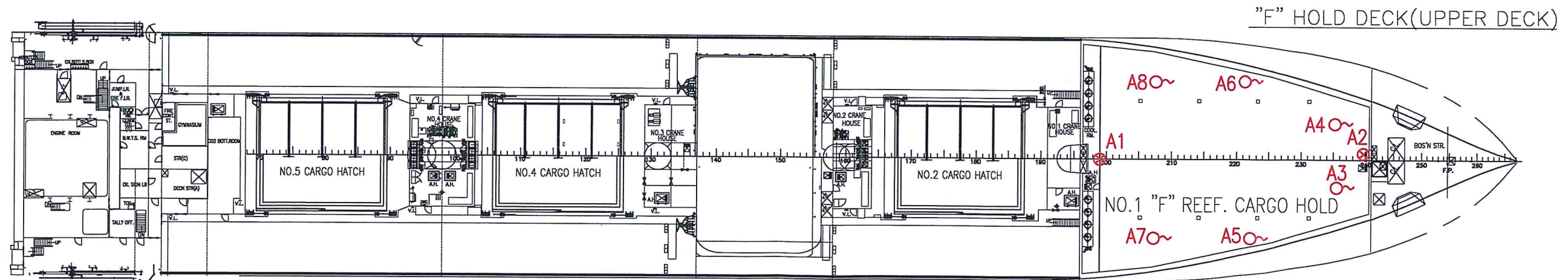
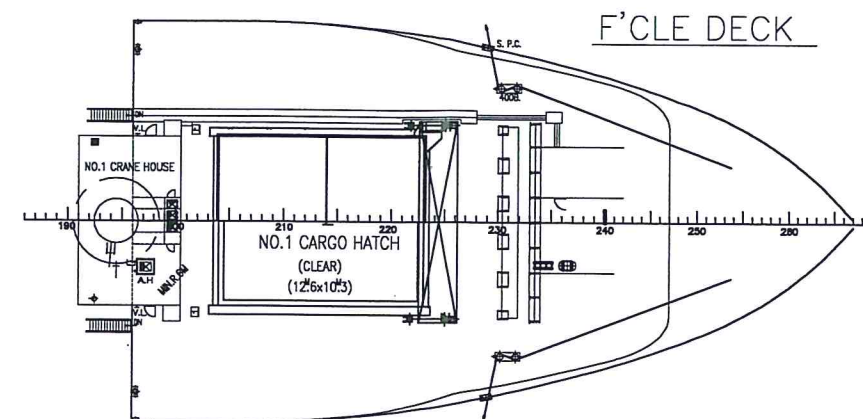
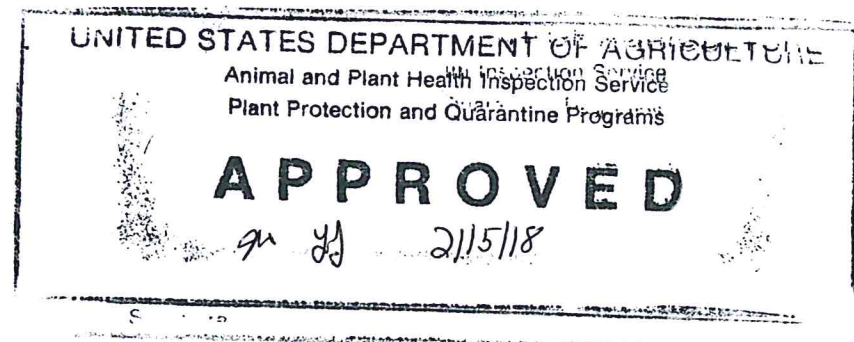
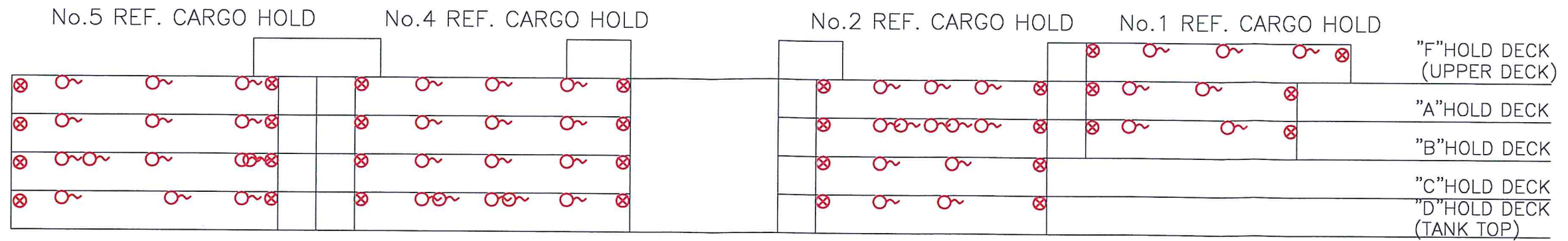


# USDA SENSOR GENERAL ARRANGEMENT 1

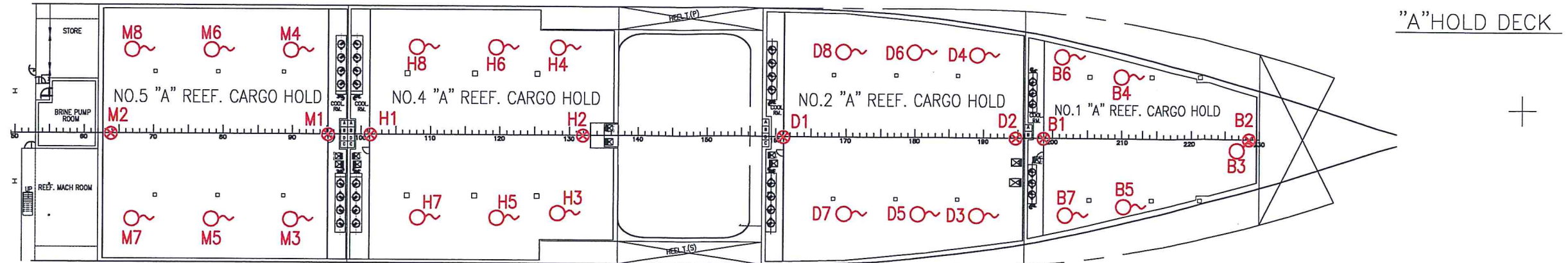


SHIP NO.	SHIP NAME	IMO NO.
SNO.1101	STAR SPIRIT	9765847
SNO.1103	STAR COURAGE	9765859
SNO.1110	COOL SPIRIT	9765861
SNO.1111	BALTIC SPIRIT	9765873

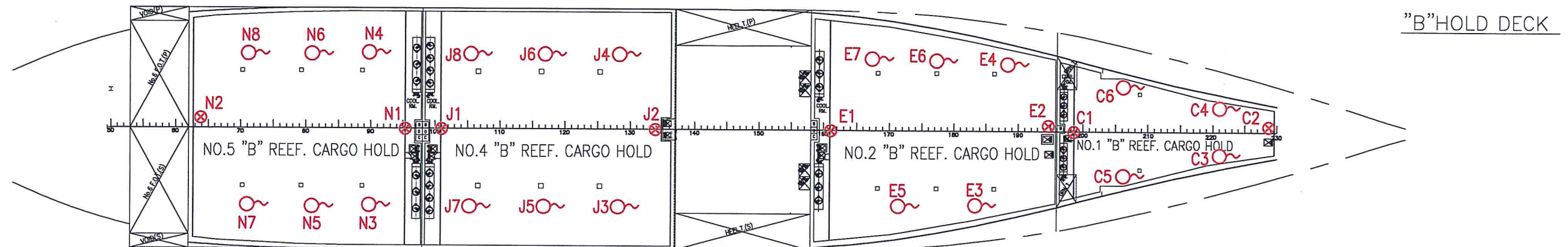
- ⊗ FIXED SENSOR WITH LEAD CABLE OF 5 METERS
- ⊂ NON-FIXED SENSOR WITH LEAD CABLE OF 15 METERS

# USDA SENSOR GENERAL ARRANGEMENT 2

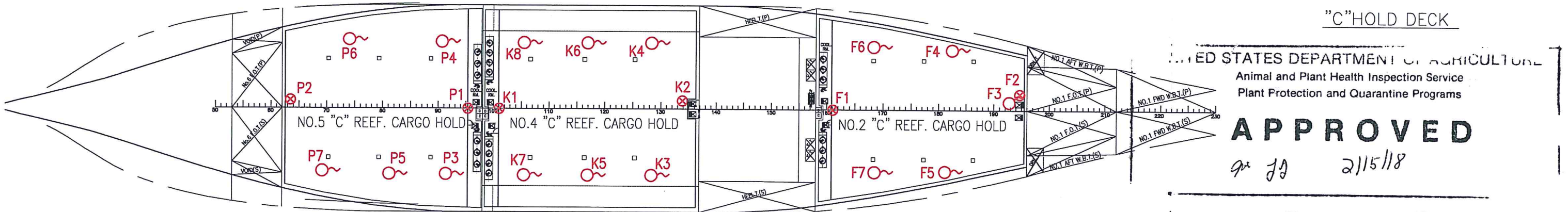
No.5 REF. CARGO HOLD      No.4 REF. CARGO HOLD      No.2 REF. CARGO HOLD      No.1 REF. CARGO HOLD



"A" HOLD DECK



"B" HOLD DECK

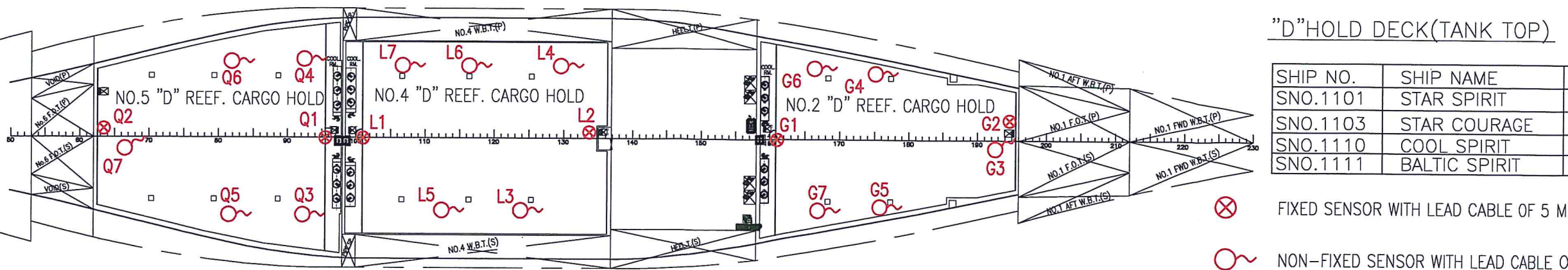


"C" HOLD DECK

UNITED STATES DEPARTMENT OF AGRICULTURE  
Animal and Plant Health Inspection Service  
Plant Protection and Quarantine Programs

APPROVED

9<sup>th</sup> JA      2/15/18



"D" HOLD DECK (TANK TOP)

SHIP NO.	SHIP NAME	IMO NO.
SNO.1101	STAR SPIRIT	9765847
SNO.1103	STAR COURAGE	9765859
SNO.1110	COOL SPIRIT	9765861
SNO.1111	BALTIC SPIRIT	9765873

- ⊗ FIXED SENSOR WITH LEAD CABLE OF 5 METERS
- NON-FIXED SENSOR WITH LEAD CABLE OF 15 METERS