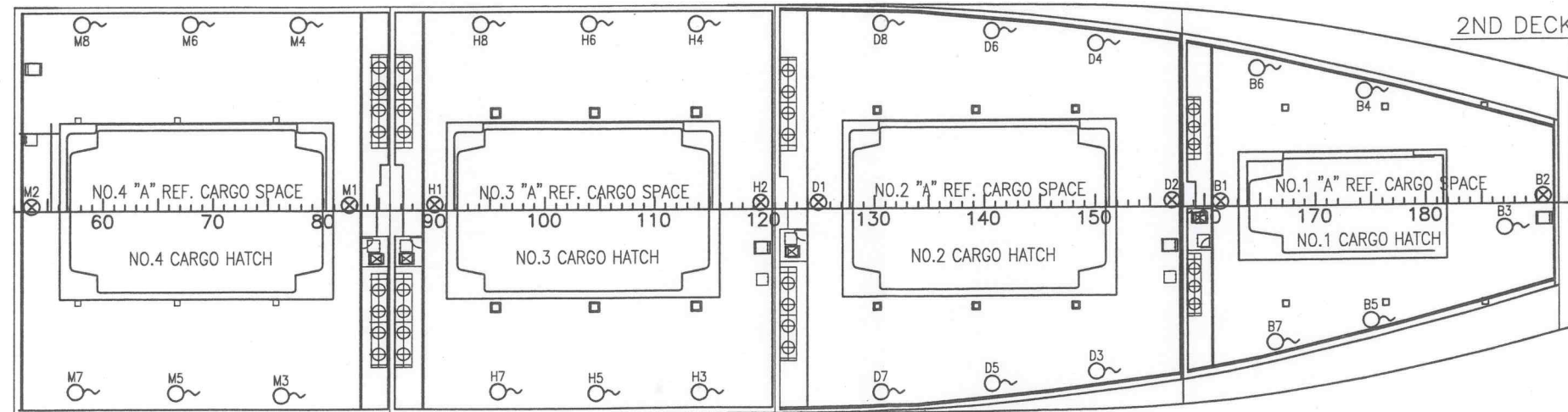
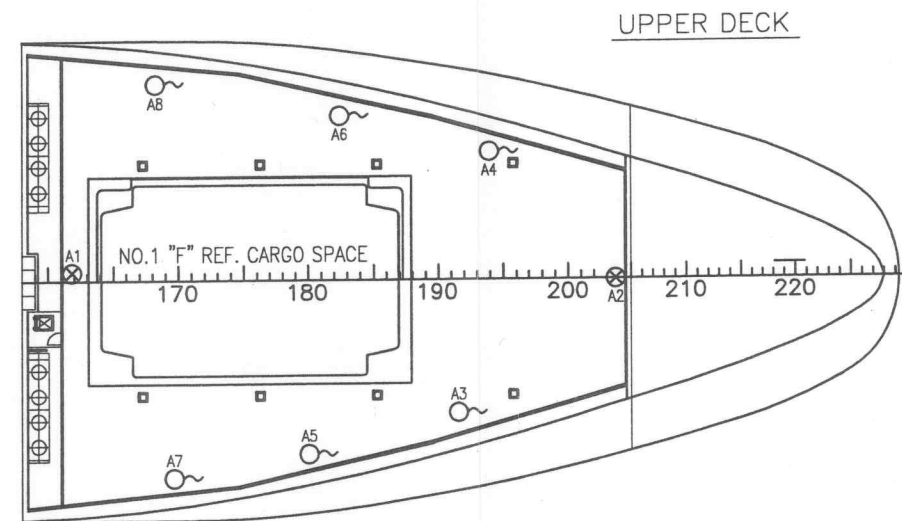


UNITED STATES DEPARTMENT OF AGRICULTURE
 Animal and Plant Health Inspection Service
 Plant Protection and Quarantine Programs

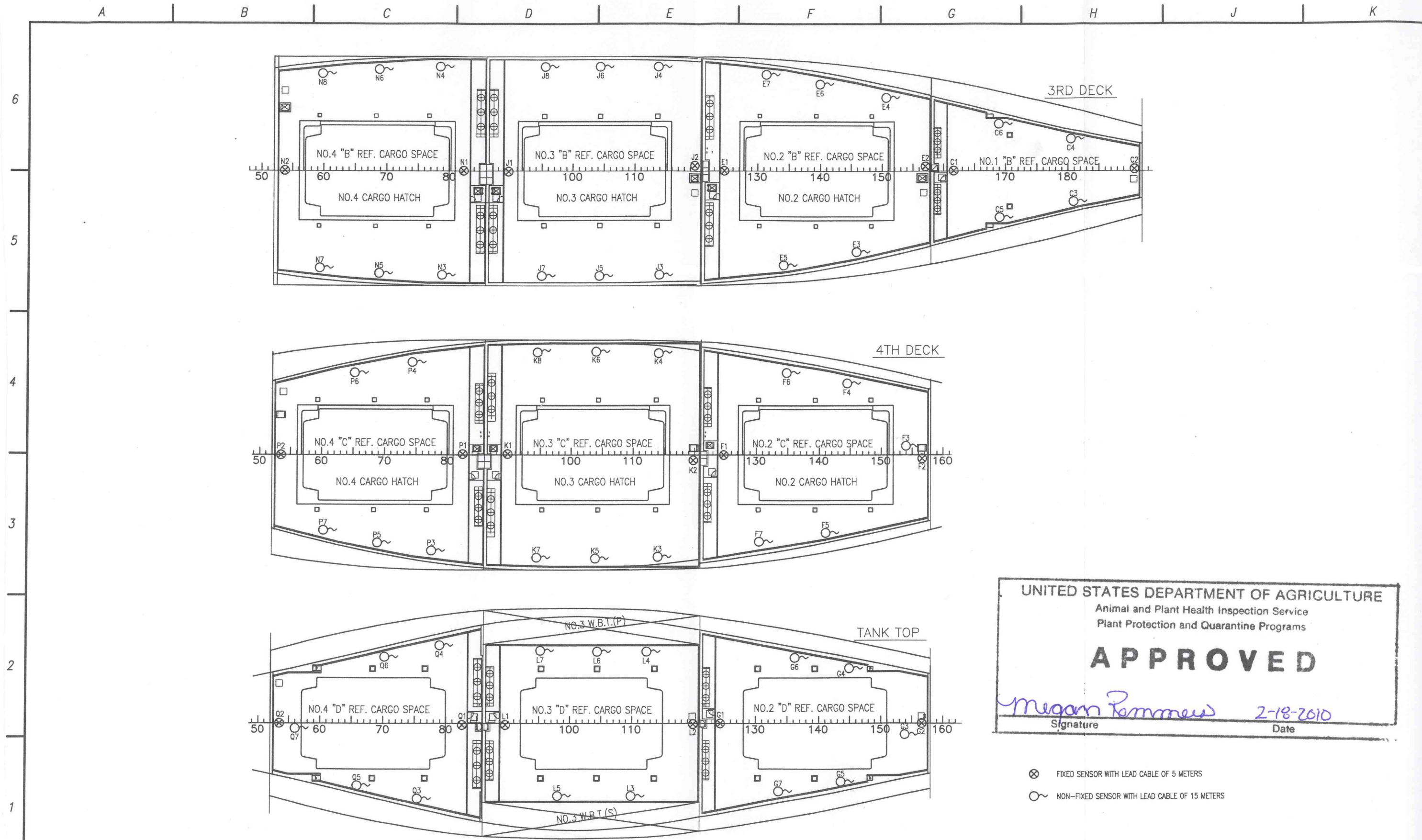
APPROVED

Megan Remmes 2-18-2010
 Signature Date



⊗ FIXED SENSOR WITH LEAD CABLE OF 5 METERS
 ○ NON-FIXED SENSOR WITH LEAD CABLE OF 15 METERS

▲					Messrs. SHIP No.1050/1051/1052/1053	For SENSOR ARRANGEMENT FOR USDA REPORT (1)
▲					Title DATA LOGGER PANEL	Q'ty
▲						Scale 1/400
						Dwg No. 0845 05-W0200
						Designed By
						Drawn By
						Checked By
						Appr. By



UNITED STATES DEPARTMENT OF AGRICULTURE
 Animal and Plant Health Inspection Service
 Plant Protection and Quarantine Programs

APPROVED

Megan Remmes 2-18-2010
 Signature Date

- ⊗ FIXED SENSOR WITH LEAD CABLE OF 5 METERS
- NON-FIXED SENSOR WITH LEAD CABLE OF 15 METERS

▲				Messrs. SHIP No.1050/1051/1052/1053	For SENSOR ARRANGEMENT FOR USDA REPORT (2)
▲				Title DATA LOGGER PANEL	Q'ty
▲					Scale 1/400
▲					Dwg No. 0845 05-W0300
▲					Designed By Drawn By Checked By Appr. By