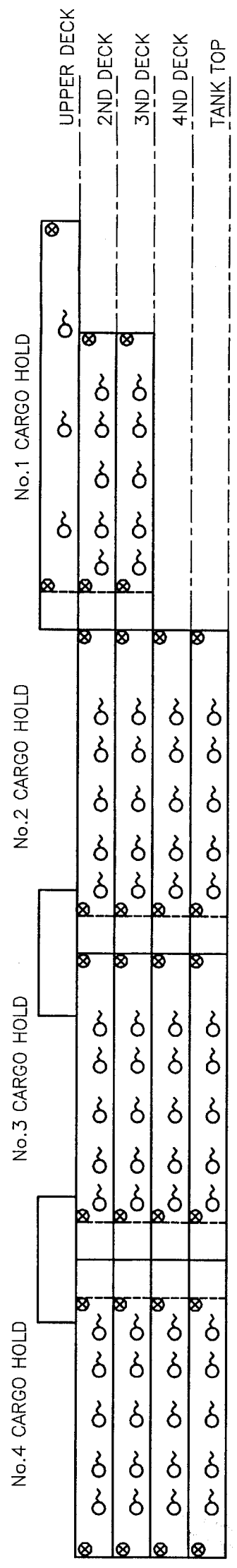


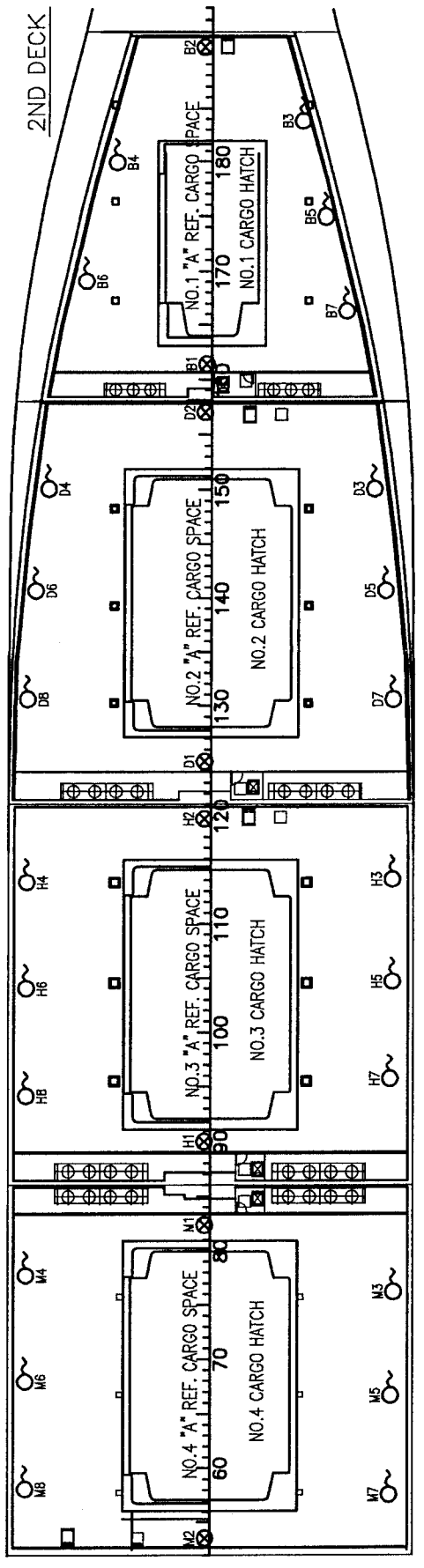
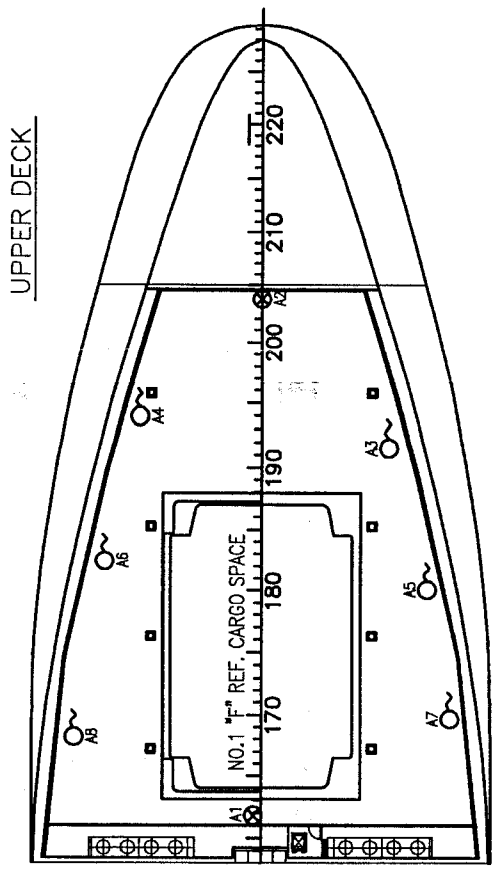
A | B | C | D | E | F | G | H



CITY STATES DEPARTMENT OF AGRICULTURE
 Animal and Plant Health Inspection Service
 Plant Protection and Quarantine Programs

APPROVED

Signature _____ Date _____



⊗ FIXED SENSOR WITH LEAD CABLE OF 5 METERS
 ○ NON-FIXED SENSOR WITH LEAD CABLE OF 15 METERS

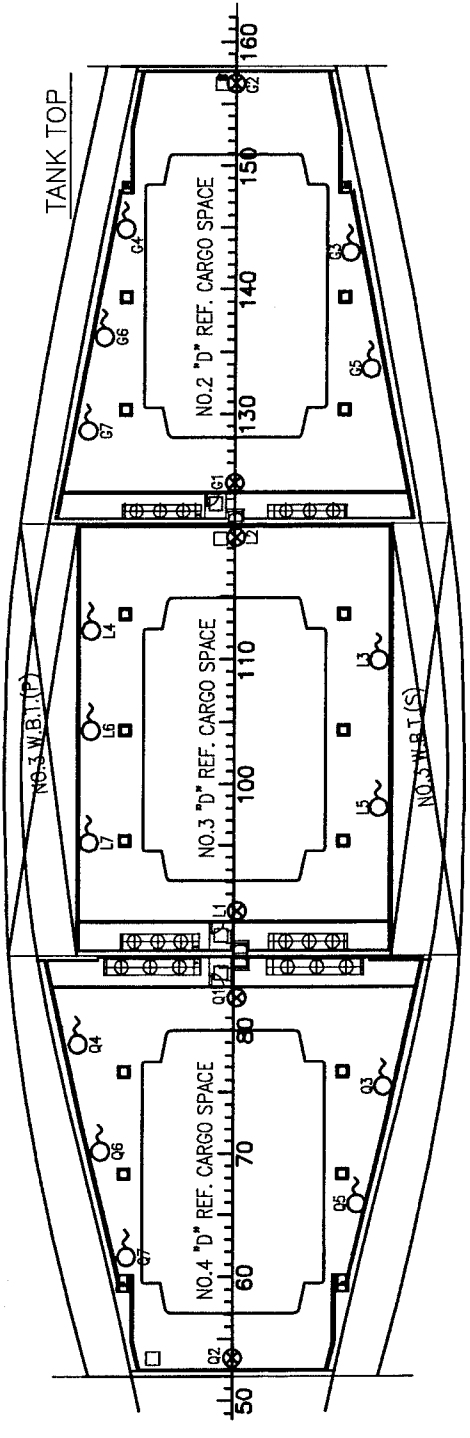
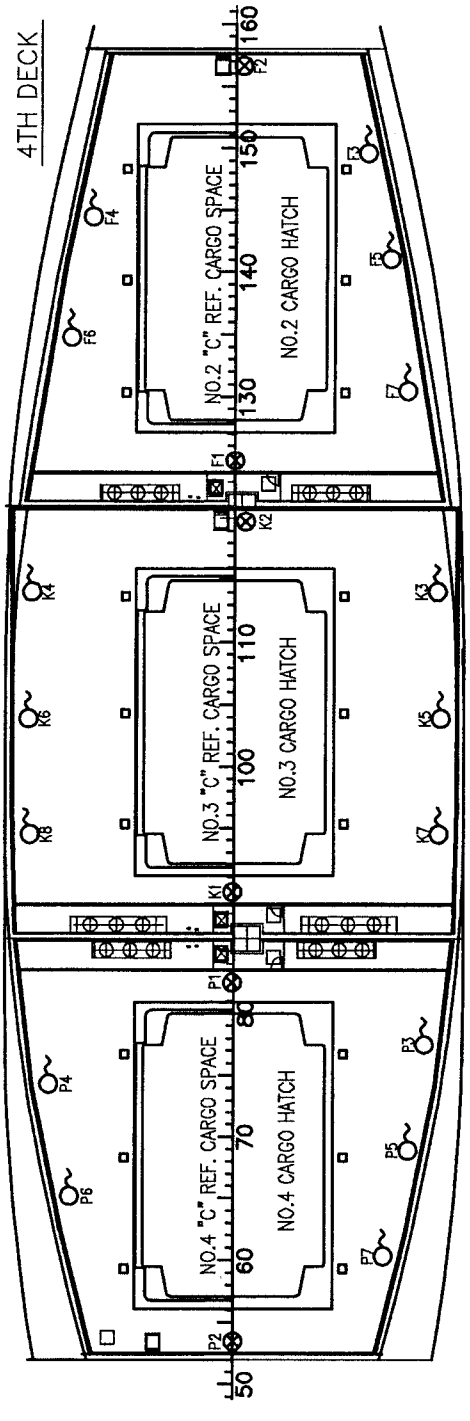
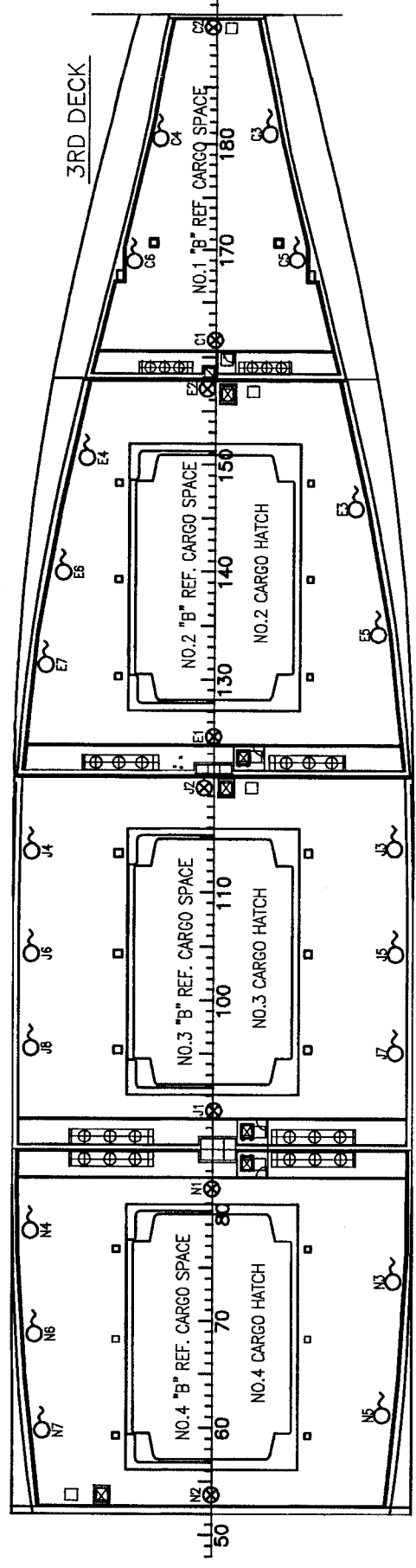
図号 No. X40300

▲	Rev No.		Date	By	Appr.	
▲						
▲						
▲						
Messrs.		SHIP No. 1030/1031/1032/1033				
Title		DATA LOGGER PANEL				
For		SENSOR ARRANGEMENT FOR USDA REPORT (1)				
Scale		1 / 400		Dwg No. 0565 05 - W0200		
Designed By		INOUE		Checked By		
Name		KATAHIRA WASHITA YAGETA		Appr. By		
Date		28 - Sep - 2004		29 - Sep - 2004		



株式会社 前川製作所

A B C D E F G H



UNITED STATES DEPARTMENT OF AGRICULTURE
Animal Health Inspection Service
Foreign Quarantine Programs

NOV 11 2004

Signature: _____ Date: _____

- ⊗ FIXED SENSOR WITH LEAD CABLE OF 5 METERS
- NON-FIXED SENSOR WITH LEAD CABLE OF 15 METERS

Rev. No. 1
2
3
4

船主 No. X40300

SHIP No.1030/1031/1032/1033		Messrs.		For SENSOR ARRANGEMENT FOR USDA REPORT (2)	
DATA LOGGER PANEL		Title		Scale 1/400	
MYCOM 株式会社 前川製作所		Name		Dwg No. 0565 05-W0300	
Description		Date		Drawn By	
		By		Checked By	
		Date		KATAHIRA WASHITA YAGETA	
		Appr.		Appr. By	
				28-Sep-2004	
				28-Sep-2004	