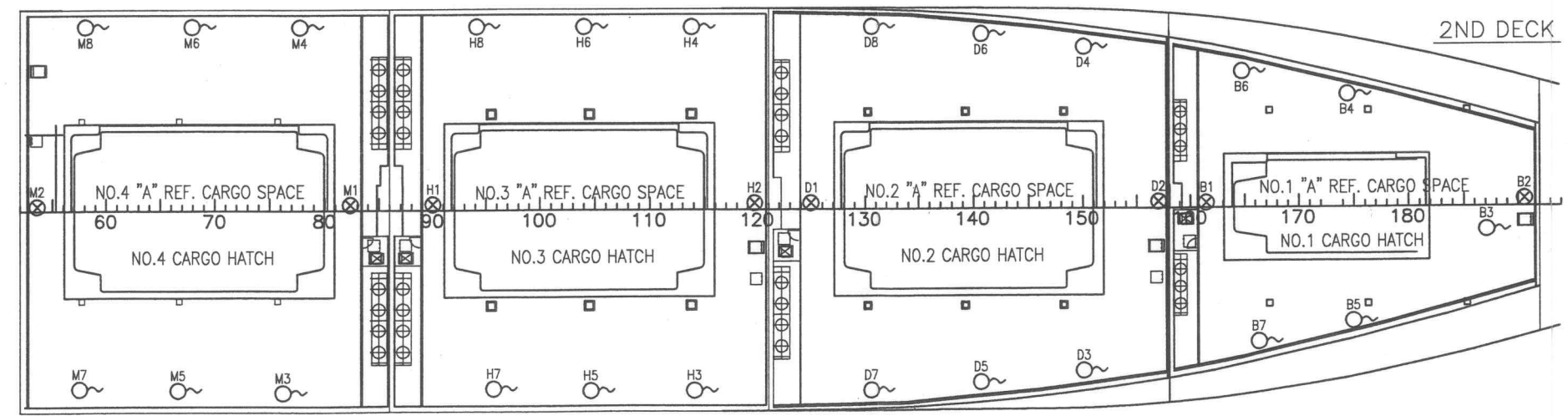
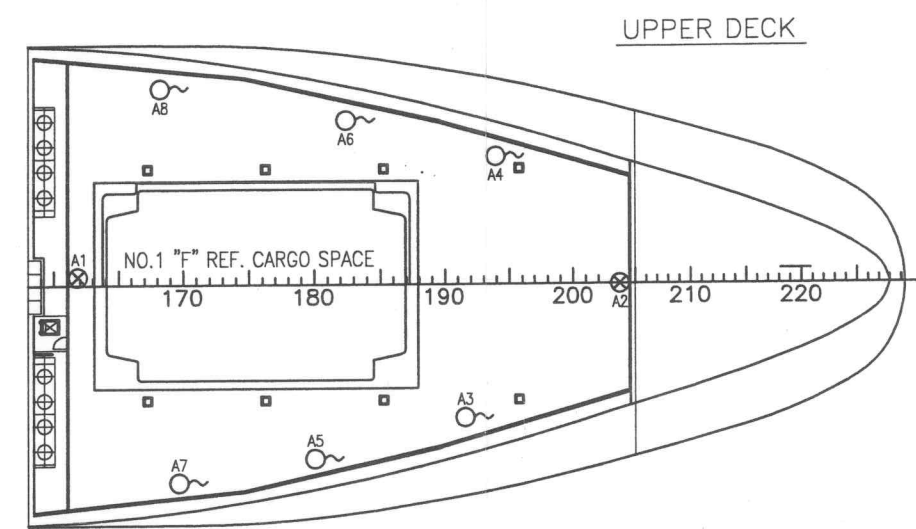


UNITED STATES DEPARTMENT OF AGRICULTURE
 Animal and Plant Health Inspection Service
 Plant Protection and Quarantine Programs

APPROVED

Megan Perreus 12-16-2009
 Signature Date



⊗ FIXED SENSOR WITH LEAD CABLE OF 5 METERS
 ○ NON-FIXED SENSOR WITH LEAD CABLE OF 15 METERS

△					Messrs. SHIP No.1050/1051/1052/1053	For SENSOR ARRANGEMENT FOR USDA REPORT (1)			
△					Title DATA LOGGER PANEL	Q'ty	Scale 1/400	Dwg No. 0845 05-W0200	
△					MAYEKAWA	Designed By	Drawn By	Checked By	Appr. By
△						Name WATANABE	KATAHIRA	KIMOTO	UMAMICHI