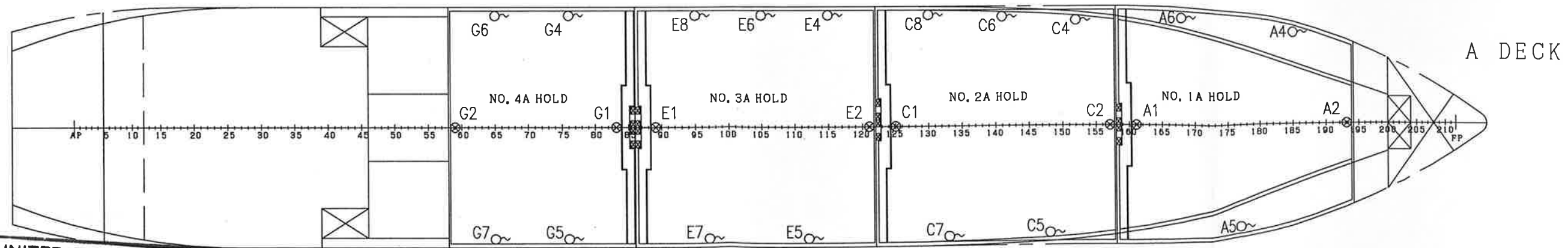
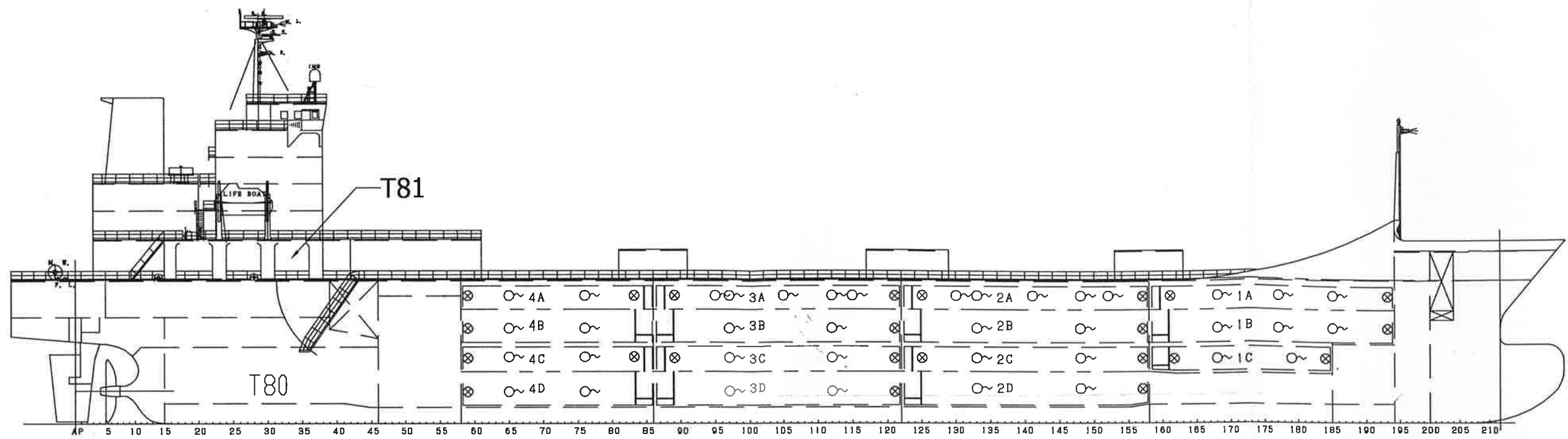


A B C D E F G H J K



UNITED STATES DEPARTMENT OF AGRICULTURE
 Animal and Plant Health Inspection Service
 Plant Protection and Quarantine Programs

APPROVED

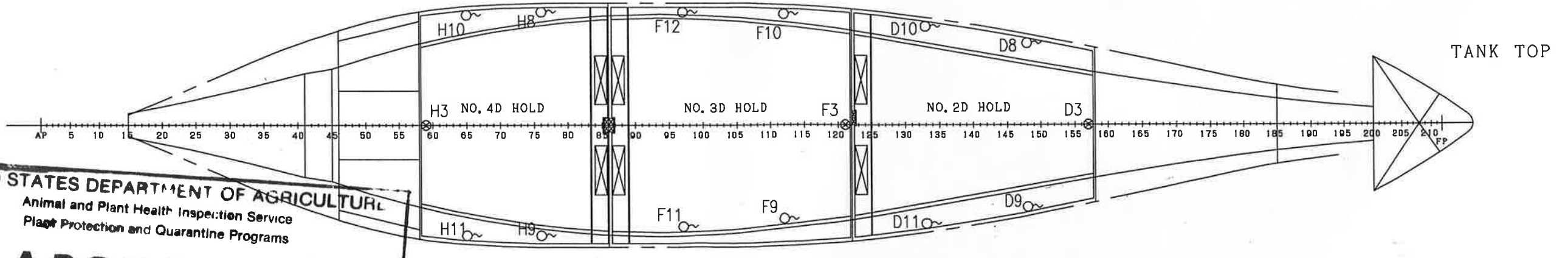
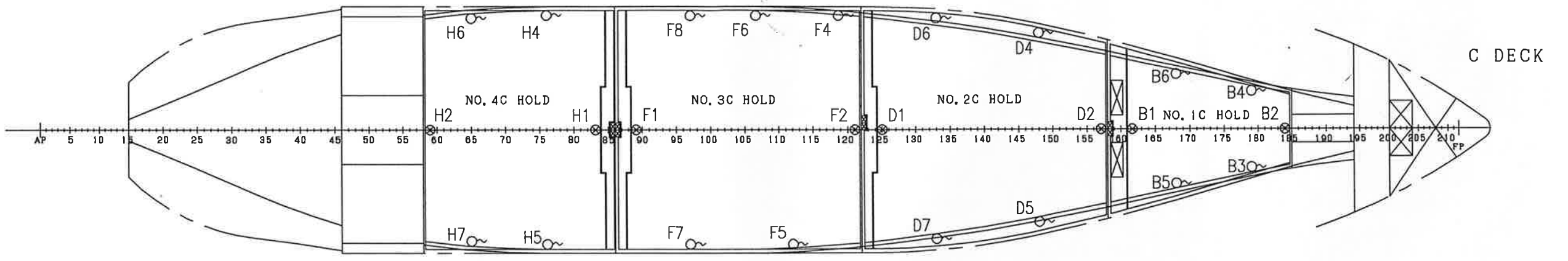
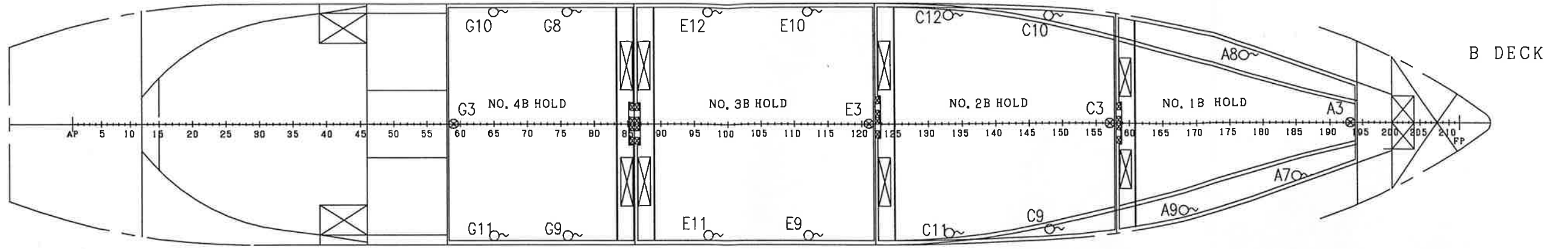
[Signature] 8/19/20
 Date

⊗ FIXED SENSOR WITH LEAD CABLE OF 5 METERS
 ○ NON-FIXED SENSOR WITH LEAD CABLE OF 15 METERS

△ △ △ △	Messrs.	KITANIHON SHIP BUILDING CO.,LTD. SNO.668	For	SENSOR ARRANGEMENT FOR USDA REPORT 1				Panel No.	05
	Title	INSTRUMENT LIST & ARRANGEMENT		Q'ty	Scale	1 / 450	Dwg No.	20053260-W10	
	Rev No	Description	Date	By	Appr	Designed By	Drawn By	Checked By	Appr. By
						Name	INOUE	MIYATA	KIMOTO
					Date	28-May-2019	13-Jun-2019	14-Jun-2019	17-Jun-2019

MAYEKAWA 株式会社 前川製作所

A B C D E F G H J K



UNITED STATES DEPARTMENT OF AGRICULTURE
 Animal and Plant Health Inspection Service
 Plant Protection and Quarantine Programs

APPROVED

[Signature]
 Date 8/18/20

⊗ FIXED SENSOR WITH LEAD CABLE OF 5 METERS
 ○~ NON-FIXED SENSOR WITH LEAD CABLE OF 15 METERS

△				Messrs. KITANIHON SHIP BUILDING CO.,LTD. SNO.668	For SENSOR ARRANGEMENT FOR USDA REPORT 2	Panel No. 05											
△				Title INSTRUMENT LIST & ARRANGEMENT	Q'ty	Scale 1/450											
△				株式会社 前川製作所	Dwg No. 20053260-W11												
△					<table border="1"> <tr> <th>Designed By</th> <th>Drawn By</th> <th>Checked By</th> <th>Appr. By</th> </tr> <tr> <td>INOUE</td> <td>MIYATA</td> <td>KIMOTO</td> <td>NAKAMURA</td> </tr> <tr> <td>Date 28-May-2019</td> <td>13-Jun-2019</td> <td>14-Jun-2019</td> <td>17-Jun-2019</td> </tr> </table>	Designed By	Drawn By	Checked By	Appr. By	INOUE	MIYATA	KIMOTO	NAKAMURA	Date 28-May-2019	13-Jun-2019	14-Jun-2019	17-Jun-2019
Designed By	Drawn By	Checked By	Appr. By														
INOUE	MIYATA	KIMOTO	NAKAMURA														
Date 28-May-2019	13-Jun-2019	14-Jun-2019	17-Jun-2019														
Rev No.	Description	Date	By	Appr.													