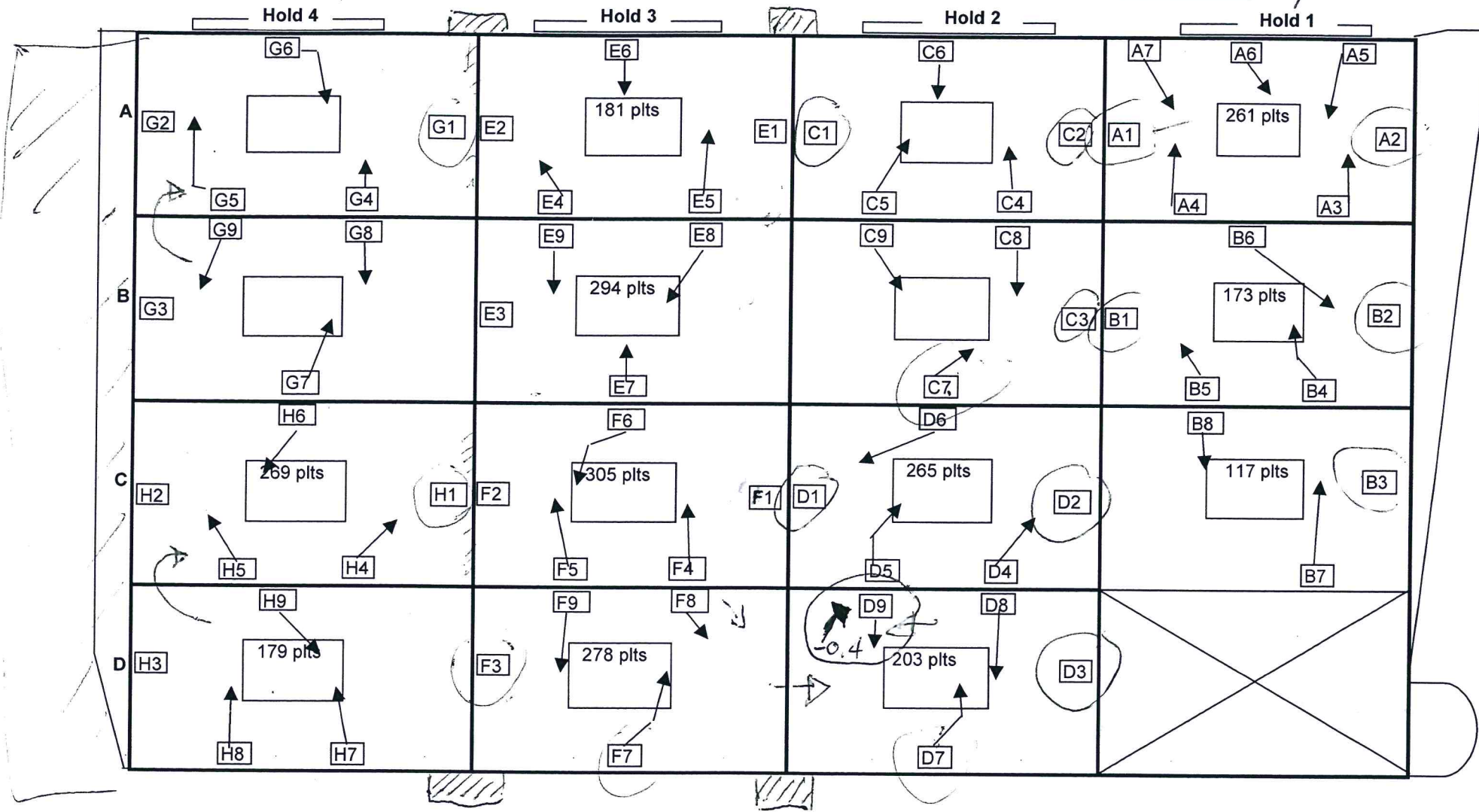


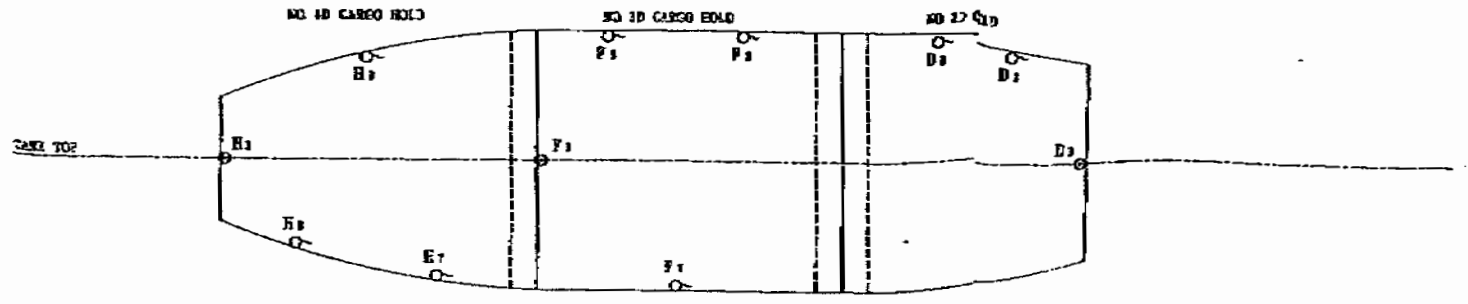
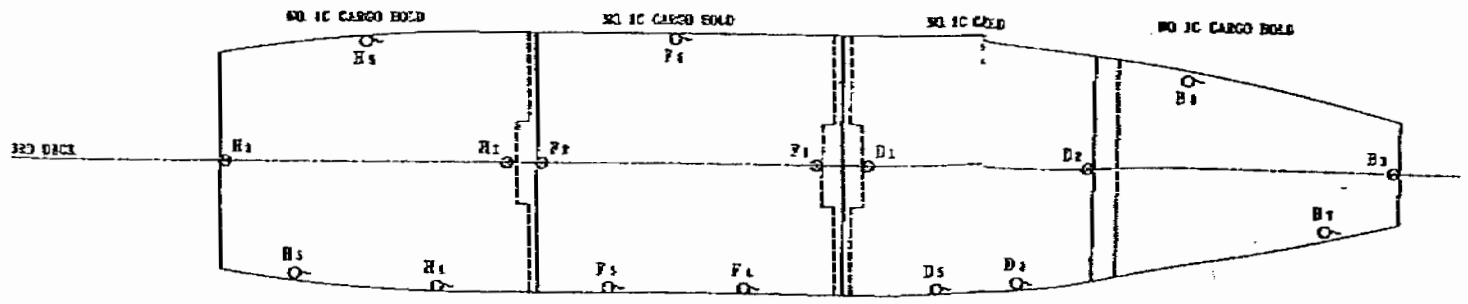
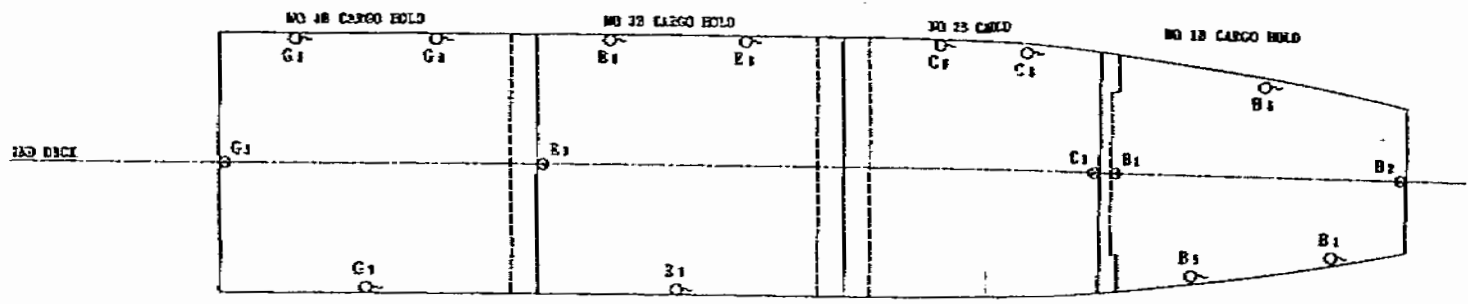
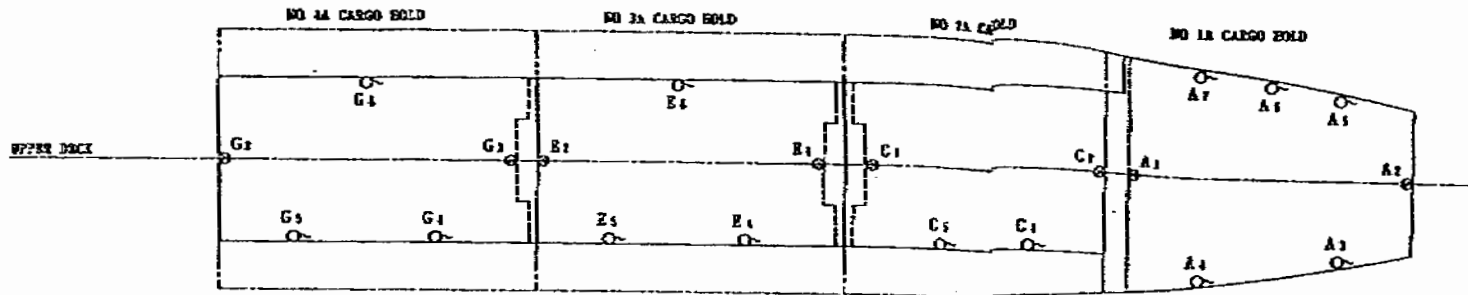
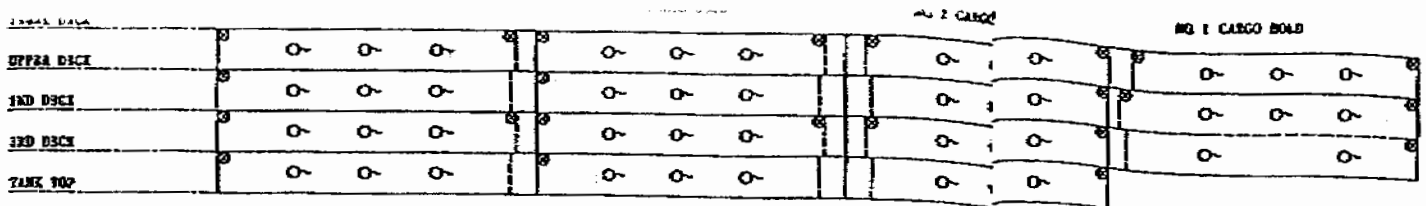
Vessel: **M/V Prince of Waves**
Voyage No: 201009
Load Port: CASTELLON, SPAIN
Discharge Port: PHILADELPHIA, USA

"USDA SENSORS"

Date: 3-Nov-2010



NEW DIAGRAM - PROVIDED BY CHIEF ENG.



UNITED STATES DEPARTMENT OF AGRICULTURE
BUREAU OF PLANT INDUSTRY
WASHINGTON, D. C.

Robert R. ...

APPROVED

TEMPERATURE RECORDER FOR U.S.D.A.
(PRINTING MARK)

NO 1
U.S.D.A. TEMP.
RECORDER

A1-A1
B1-B1
C1-C1

NO 2
U.S.D.A. TEMP.
RECORDER

D1-D1
E1-E1
F1-F1

NO 3
U.S.D.A. TEMP.
RECORDER

G1-G1
H1-H1

- PIZED SENSOR WITH LEAD CABLE OF 5 METERS
- NON-PIZED SENSOR WITH LEAD CABLE OF 15 METERS

PRINCE OF WALES

SHIP: *Pr. 2763*

DESIGNED BY: U.S.D.A. SENSOR ARRANGMENT

SCALE: N.S. DRAWING NO. *E 59203-72*

NO.	DESIGNED	START	CHECK	APPROVED
1	<i>[Signature]</i>	<i>[Signature]</i>	<i>[Signature]</i>	<i>[Signature]</i>
DATE:	MAY 27 1954			

KICOR MATSUKAWA MARINE ENGINEERING CO. LTD.